

Lil' Stanker™ MK-IV

STAINLESS STEEL 12 Volt Holding Tank Deodorizer Fan

FEATURES

EFFECTIVE ODOR CONTROL

- Stops Odors Due To Toilet Flushing, Leaking Seals, Wind Gusts, Etc.
- Prevents Accumulation Of Sewage Gas
- Works On Black Or Grey Water Tanks
- Can Be Used Full-Time

EASY INSTALLATION

- Replaces Your Existing Plastic or Metal Vent Pipe Cap
- Installation Materials, Instructions Included

QUALITY CONSTRUCTION

- Stainless Steel Enclosure & Hardware – Almost Indestructible!
- One-Year Warranty

CONVENIENT & ECONOMICAL

- Eliminates Tank Rinse-Outs After Dumping
- Reduces or Eliminates Deodorizing Chemicals – Less Expense, Less Mess!

HIGH PERFORMANCE

- Long-Life, Brushless 2-Speed Fan Motor
- Low Current Consumption
- Whisper-Quiet Operation

The Lil' Stanker™ MK-IV Holding Tank Deodorizer Fan replaces the original plastic or metal vent pipe cap on your RV's roof. Essentially, it's a vent pipe cap with a built-in odor suction fan. The 12-volt electric fan creates a slight vacuum in your holding tanks, preventing odors from seeping into living areas – it's very effective in eliminating odors caused by toilet flushing, leaking toilet seals, wind gusts, sloshing of tank contents, dried-out P-traps, etc.

Designed for quick, easy installation, the MK-IV is light enough to be secured entirely with silicone sealant, eliminating the need to drill roof holes (Note: mounting screws are also included). The DC power wires connect to any convenient 12 volt source in your RV - If desired, these wires can be dropped down the inside of your vent pipe, for an easy, weather-tight installation. The fan's unique mounting base fits any size vent pipe – no adapters needed. Installation typically takes less than 15 minutes, using ordinary hand tools.

The 2-speed toggle switch (included) has a power-on indicator light, and comes with an attractive black surface-mount enclosure. Or, you can flush-mount the switch by itself in a wall or control panel, using the included adhesive-backed switch decal.

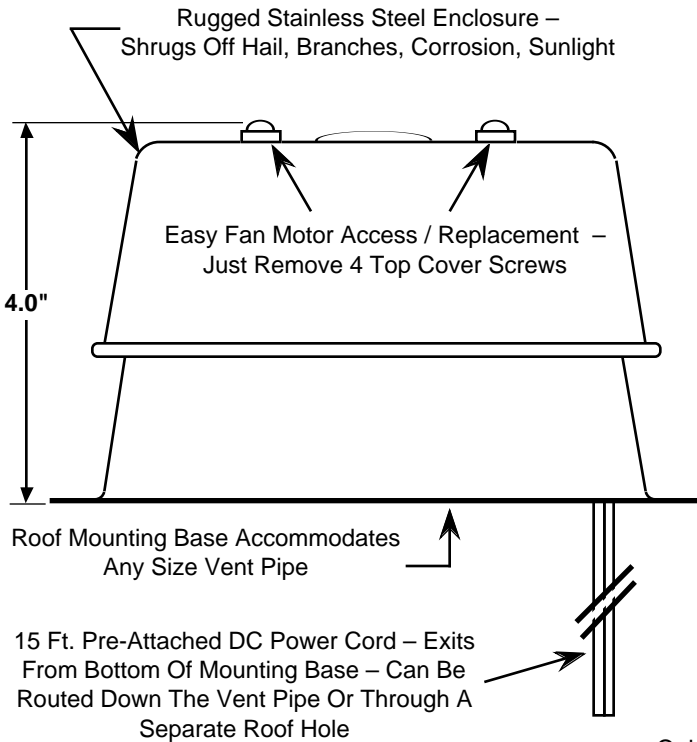
The quiet, brushless 12 volt fan motor consumes only 0.1 amps on LOW speed, permitting full-time operation – even when AC hookups aren't available. The powerful HIGH speed setting is great for quickly removing stubborn odors.

The MK-IV comes with everything you need to install it (except sealant): A 2-speed toggle switch and enclosure, 15-foot DC power wire, installation hardware, illustrated instructions, and a one-year warranty. Factory service and replacement parts are available.

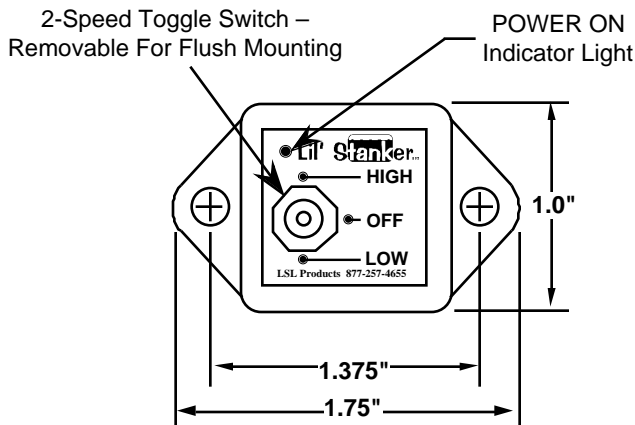
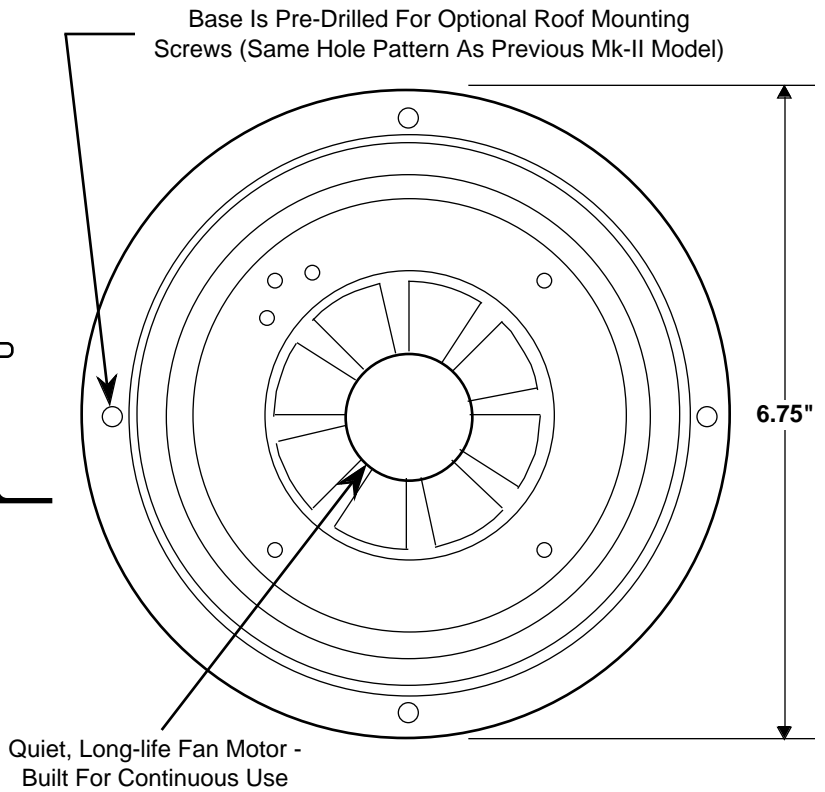
NOTE: Although black water tanks are usually the worst odor offenders, many RVers will further benefit from the installation of fans on both holding tanks - This eliminates the grey water tank as a source of odors previously masked by the black water tank. For customers who choose this approach, a Twin-Pack (2 fans and a single 2-speed toggle switch) is offered at a \$10 discount.



SIDE VIEW



BOTTOM VIEW



SPECIFICATIONS

- Supply Voltage: 11 - 14 VDC
- Supply Current: 100 mA Typ. (LOW)
200 mA Typ. (HIGH)
- Air Flow: 30 CFM (Free-Air)
- Noise Level: 27 dB - A (LOW)
- Size: 6.75" Dia. x 4.0" High
- Weight: 18 oz.
- Motor Type: DC Brushless
- Duty Cycle: Continuous
- Cover: 3-Series Stainless
- Base: 3-Series Stainless
- Mounting Hardware: 18-8 Stainless
- Power Cord: 15 Ft.

COMPLETE KIT INCLUDES EVERYTHING NEEDED:

(except roof sealant)

- MK-IV Tank Deodorizer Fan
- 15-Foot Pre-Attached DC Power Cord
- 2-Speed Toggle Switch & Enclosure
- Label for Flush-Mounting Toggle Switch
- Stainless Steel Mounting Hardware
- Vent Pipe Snare Wire & Patch Kit
- Illustrated Installation Instructions
- 1-Year Limited Warranty

ORDER FORM

Most orders ship within 24 hours, via US Priority Mail (Air Mail to Canada).
We also ship to General Delivery addresses.

For checks drawn on Canadian banks, please adjust for currency rate.

| |
|---------------------------------|
| Name |
| Address |
| City, State, Zip |
| Daytime Phone Number (optional) |

| Description: | Qty. | Price: | Tax* | Shipping: | Total: |
|-------------------------------------|------|-------------------------------|--------|-----------|--------|
| Lil' Stanker™ MK-IV | 1 | For \$39.95 | \$2.90 | \$5.05 | |
| | 2 | For \$69.90 (Save \$10.00) | \$5.07 | \$7.15 | |
| Spare / Replacement Fan Motor | | \$14.95 | \$1.08 | Free | |

*Texas residents only.

- 1 Year Warranty
- Satisfaction Guaranteed!
- Factory Parts & Service
- Toll-Free Technical Help

LSL
PRODUCTS
5807 BABCOCK #108
SAN ANTONIO, TX 78240
TOLL-FREE: 877-257-4655
www.LSLProducts.com